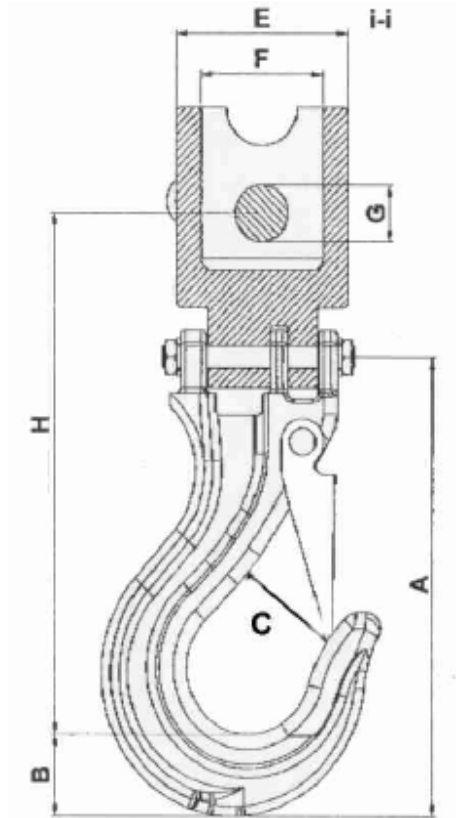


**CÂRLIGE DE RIDICARE**  
**MONTABILE PE ROTATORUL MACARALEI**  
**ORH**



FABRICAT IN  
CONFORMITATE CU  
**CE**

MODEL	CAPACITATE	AX ROTATOR	BOLT
ORH 80-59	8000 Kg	59 mm	30 mm
ORH 80-69	8000 Kg	69 mm	30 mm
ORH 100-78	10000 Kg	78 mm	35 mm



	<b>ORH 80-59</b>	<b>ORH 80-69</b>	<b>ORH 100-78</b>
A	208 mm	208 mm	239 mm
B	43 mm	43 mm	50 mm
C	49 mm	49 mm	59 mm
E	98 mm	98 mm	120 mm
F	59 mm	69 mm	78 mm
G	30 mm	30 mm	35 mm
H	231 mm	231 mm	284 mm
Greutate proprie	9 Kg	9 Kg	14 Kg
W.L.L.	5 Tone	5 Tone	10 Tone